

OSMEN
OUTDOOR LIVING

MIDURA

米多了

MIDURA

Collection

風格系列



MIDURA源自波蘭語，每個字母都代表着各自的含義：M for Mild溫和的，I for Inspire激發、鼓舞，D for Diamond鑽石，U for Unique獨特的，R for Refreshing清爽的，A for Athleticism運動才能。本產品就是圍繞着這些特點而誕生的。

將椅背藏于靠墊之後，不易顯露，用戶僅靠正視的端正模樣是很難猜到椅背的形狀，如梁實秋所言：“花看半開，酒飲微醺”的趣味，才是最令人低徊的境界。

The Midura comes from Polish, each letter represents its own meaning: M for Mild, I for Inspire, D for Diamond, U for Unique, R for Refreshing, A for Athleticism. This product is born with these characteristics.

It's not easy to see the back of the chair because it is hidden behind the cushion. You can't get the back shape of this only by looking squarely at it. Just as Liang Shiqiu said, the taste of "seeing flowers half open and drinking wine slightly drunk" is the most depressing realm.

MIDURA

Dining Chair

米多了·餐椅



防水布料
Waterproof Fabric

特斯林網
Textilene

鋁管
Aluminium Tube

Available Materials

可選材質

鋁管
Aluminium Tube



橘色
Orange



乳白色
Ivory



深灰色
Dark Grey

特斯林網
Textilene



沙黃色
Sand



黑色
Black



灰白色混紡布
Off White
Textilene Olefin Blended

防水布料
Waterproof Fabric



提花深灰色亞克力布
Jacquard Charcoal Grey \ Agora



灰白色混紡布
Off White \ Textilene Olefin Blended



黑色混紡布
Black
Textilene Olefin Blended

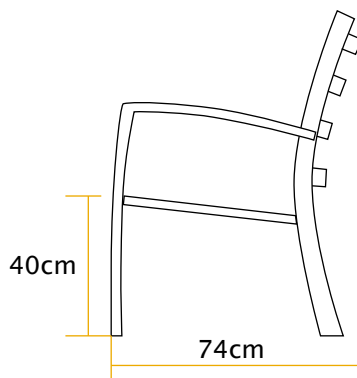
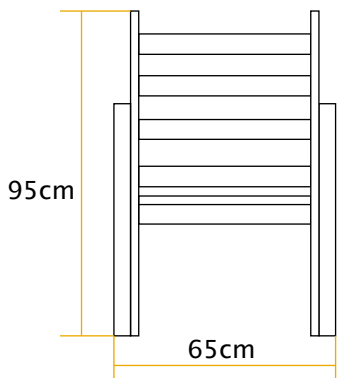


烏雲灰滌綸布
Cloud \ Polyester

MIDURA

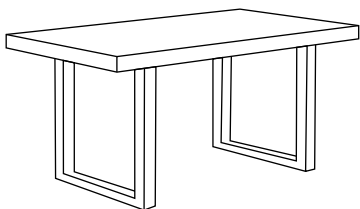
Measurements

尺寸

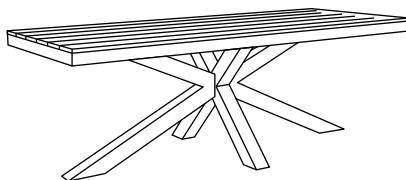


Optional Combination

可選搭配



多寶半高餐臺
TURBO Half-height Table



米字臺
MI Dining Table